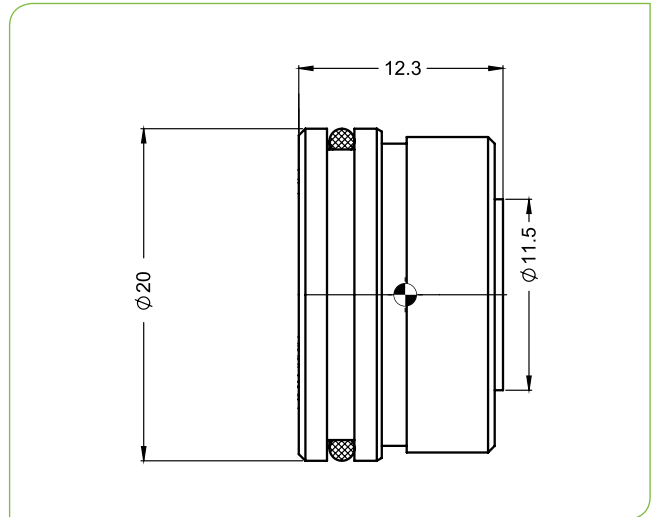


SupIR 4.5mm f/1.1, Fixed Athermalized 680284

TYPICAL ICD*



HFOV	320x240
12μ	48.5°
10μ	40.3°

Property	Value				
Optical					
Focal Length	4.5mm				
F#	1.1				
Average transmission (8-12μm)	94% (HD) / 92% (HC)				
Back Focal Length	6.3mm in air				
Mechanical					
Focus Mechanism	Fixed				
Depth of Field	1m to infinity				
Focus Range	0.1m to infinity				
Weight	8gr				
Max. Dimensions	Ø20.0mm x 12.3mm				
Environmental					
Operation Temperature	-40°C to +80°C				
Storage Temperature	-54°C to +85°C				
Sealing	IP 67 front element only				
Configurations	Weight (gr)	Dimensions	BWD**	Thread	Coating
680284-001	8	Ø20.0mm x 12.3mm	7.2	M19x0.5	HD
680284-002					HC

* The ICD drawing provided here is primarily a representation and may not accurately reflect the product's actual dimensions and specifications. For precise integration specifications contact your local sales representative.

** The BWD value is calculated for a unique detector setup with varying sealing windows in terms of thickness and material. For more details, contact your local sales representative.